

# 25 Gallon Potter

Model# 25G-3BPotter



## Standard Features

- Completely greaseless design
- Universal skid steer quick-attach hitch plate
- 4" solid steel frame construction
- High-flow/variable speed hydraulic valve
- Electronic pistol grip controller
- Undercutter – this feature enables the operator to cut all roots on the bottom of the rootball while the plant is still in the ground. This is a great feature for all tap-rooted trees and shrubs that are difficult to harvest.

## Options

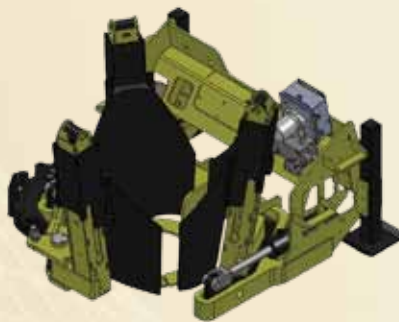
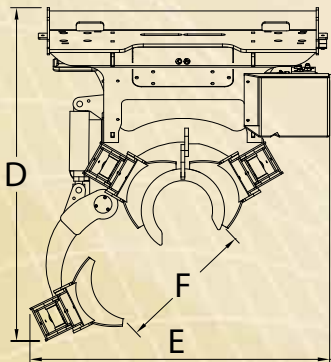
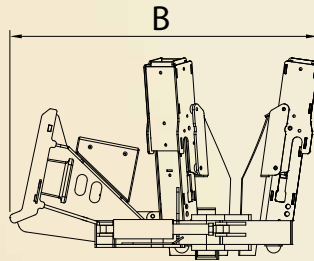
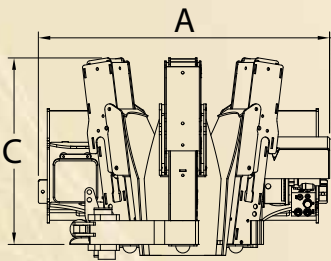
- Automation package
- Hydra wave** – wireless control package  
Wireless Control System
- Extra shovel sets
- Custom hitch adapter

## Machine Specs

Rootball range.....	5 to 25 Gallon
Height.....	C – 38"(97 cm)
Width (Gate Open) .....	E – 66"(168 cm)
Width (Gate Closed) .....	A – 60"(152 cm)
Length (Gate Open) .....	D – 70"(178 cm)
Length (Gate Closed) .....	B – 57"(145 cm)
Inside Clearance (Gate Open) .....	F – 38"(97 cm)
Inside Clearance (Gate Closed) .....	F – 3"(8 cm)
Weight, Empty.....	1500 lb (682 kg)
Number of Shovels .....	3

## Power Unit Recommendations

Oil Flow.....	10-25 gallons/min (38-95 liters/min)
Oil Pressure .....	2000-3000 Psi (135-205 Bar)
Rated Operating Capacity (Skid Steers) .....	1900 lb (864 kg)
Lift Capacity (Loader/Excavator) .....	2500 lb (1136 kg)



Customization available to suit customer's specific needs.



Lemar Tree Spades  
RR1, Site 9, Box 17  
Airdrie, Alberta,  
Canada T4B 2A3

Phone: 403.948.9852  
Fax: 403.948.9853  
Cell: 403.852.8375  
Toll Free: 1.866.948.9852

*"For God did not send his Son into the world to condemn the world, but in order that the world might be saved through him."  
John 3:17*

[www.lemarweb.com](http://www.lemarweb.com) • [sales@lemarweb.com](mailto:sales@lemarweb.com)

*Experience the Difference!*